



RAPID

8W MULTI DOWNLIGHT + RAPID CONNECTOR IN ONE



TOOL-LESS



RAPID



SAFE



BS EN 60598-1:2015, BS EN 60598-2-2:2012, EMC: EN 55015, EN 61547,
EN 62493, EN 61000-3-2, EN 61000-3-3, CONNECTOR COMPLIANCE:
BS5733, IEC61535, IEC60998-2-3

INSTALLATION GUIDE

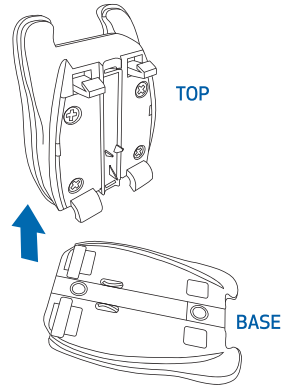
1

Disconnect mains power.
Never work live



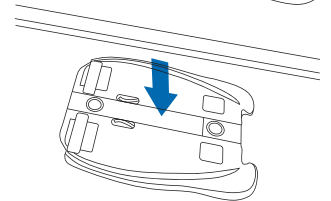
2

Unclip the top part of the
RAPID Connector from the
base



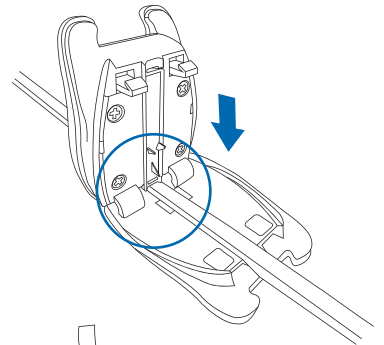
3

Place the 1.5mm² flat TPS cable
into the channel of the base part
and push it in, so it sits flush



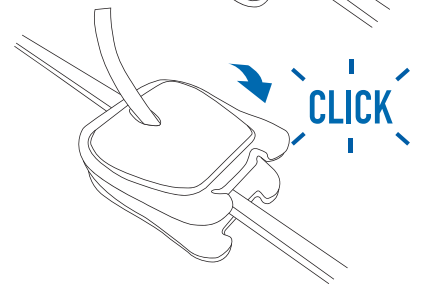
4

Push the top part of the
RAPID Connector back on to
the pivot shafts on the base
make sure they "clip"



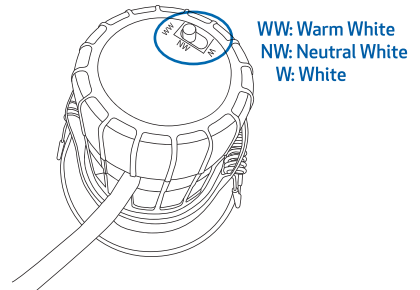
5

Shut the top part closed &
push them together until they
clip. Audible "click" confirms
connection



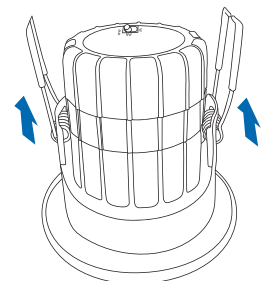
6

Set the desired colour
temperature at the switch on
the back cover of downlight



7

Gently bend back the spring
clips and install the light into
the cut-out hole in the ceiling



1 Year Warranty

Warranty Disclaimer

Please refer to M-Elec website (m-elec.com) for information on the warranty period of each product. Each of our product warranties is separate and subject to the following terms and conditions:

- M-Elec products must be properly installed by a qualified electrician and in accordance with any relevant guidelines, codes, and standards. This includes wiring and connection to proper approved components and product working environments.
- This warranty is void and does not apply to products that fail as a result of neglect, mistake misuse, alteration, or that is improperly installed and implemented. This includes but is not limited to: improper wiring, installation under improper and non-approved operating environments such as temperature, humidity, corrosion or voltage conditions; improper installation using components that are not approved or are not M-Elec manufactured products.
- It is the responsibility of the purchaser to obtain all necessary approvals and to understand the products intended use and all relevant instructions, recommendations, and guidelines for the proper installation and use of any M-Elec products and related 'manufactured products' used in conjunction with same.
- M-Elec is not liable for the accuracy and completeness of any statements, technical information and recommendations in any form of product literature or instructions are not guaranteed, and are not part of this warranty, and does not in any way constitute a warranty. The purchaser is solely responsible for determining suitability of the M-Elec products for installation and full implementation must determine potential applications and installations independently.
- Warranty is void if products have been altered, opened/modified in any way that is outside the bounds of normal electrical work.
- To make a claim on any of M-Elec's products, you must do so within 14 days from the day of receipt (from place of purchase) and deliver the product to M-Elec International (at your cost). M-Elec will assess the warranty claim by conducting electrical tests, and visual and microscopic inspection to make sure there is no visible physical damage. If M-Elec grants the warranty claim, we will replace the product or refund your money, at our election.
- M-Elec is not responsible or liable for any injuries, damages, or death caused by the use, misuse or failure of products purchased from us.

To the fullest extent permitted by law, no warranties other than those described above are given in respect of M-Elec products. M-Elec's liability is limited, to the fullest extent permitted by law, to the refund or replacement of the M-Elec products. We expressly do not warrant that an M-Elec product will last any particular length of time nor guarantee is made as to fitness to a particular application, since we have no control of the electrical supply or circuits.

M-Elec goods come with guarantees that cannot be excluded under consumer law. You are entitled to a replacement or refund for a major failure and compensation for any other reasonably foreseeable loss or damage. You are also entitled to have the goods repaired or replaced if the goods fail to be of acceptable quality and the failure does not amount to a major failure.

ALL RETURNS MUST BE RETURNED TO:

M-ELEC INTERNATIONAL

FESTIVAL HOUSE, JESSOP AVENUE,
CHELTENHAM GL50 3SH, GREAT BRITAIN

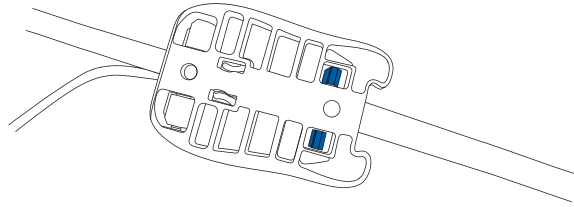
For further information on our returns policy procedure please call **(+44) 1242 633745** and our customer care consultants will answer your questions.

MLI-RAPID8UK & MLI-RAPID8UK-MULTI

REMOVAL PROCEDURE

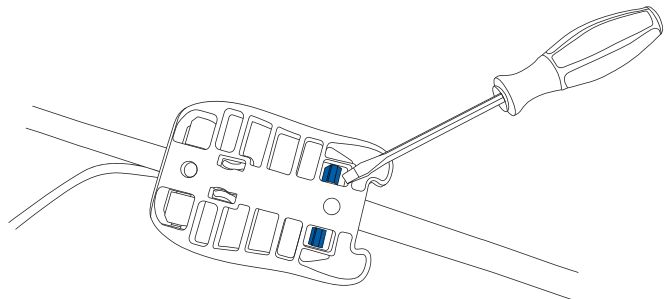
1

Locate 2 locking tabs (red) on the bottom side of the base



2

With a flat screwdriver push on one of the tabs while holding pressure on the top part of the RAPID Connector in the opening direction, until the first tab releases

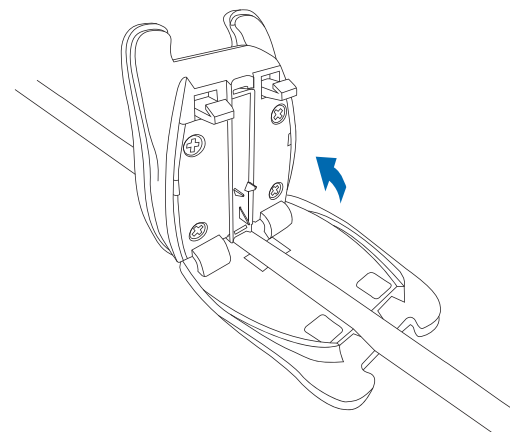


3

Repeat procedure for the second tab

4

Open the RAPID Connector

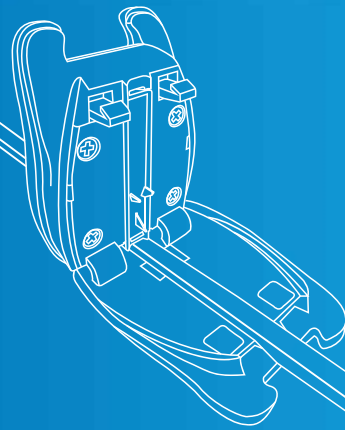


5

Remove top and base from the cable

RAPID 8

8W MULTI DOWNLIGHT + RAPID CONNECTOR IN ONE



FAQS

Installation

Q. How do I ensure polarity is correct when installing? There is no L and N on the RAPID 8?

A. It does not matter which way the RAPID 8 is placed on the cable in regard to Active/Line/Live (L) and Neutral (N) as the light is not polarity sensitive. The connection on the light itself is a 'Non-serviceable connection' meaning it cannot be opened and you are unable to access the internal wiring.

Q. How do I attach the RAPID 8 to a catenary wire?

A. There are 2 cable tie slots on the RAPID 8. After terminating onto the cable, you can use the cable tie slots to secure the RAPID 8 onto the catenary wire.

Q. How do I remove a RAPID 8 from a cable?

A. Locate the two red locking tabs on the bottom side of the base. With a flat screwdriver push on one of the tabs while pushing the top part of the RAPID 8 in the opening direction, until the first tab releases. Repeat procedure for the second tab. You will then be able to open the RAPID 8.

Q. What happens to the cable when a RAPID 8 is removed?

A. When the RAPID 8 is removed it will leave 3 splice marks on the cable. It is up to the electrician to either insulate the cables or cut and join the cables safely.

Q. What cables can work with Rapid Connector?

A. The RAPID 8 is compatible with the following 1.5mm² 2C+E cables:
 Prysmian (Dark Grey) 1.5mm
 PX Cables 179/001 (Dark Grey) 1.5mm
 PX Cables 187/001 (Light Grey) 1.5mm
 It is only suitable for use with centre earth 2C+E 1.5mm TPS cables.

Testing

Q. How do I test for Earth connection after installing RAPID 8?

A. Remove the front trim/fascia of the light – rotate counterclockwise to unlock and pull to remove. You will find 2 screws, each of these are earth testing points.

Q. How do I test polarity on the RAPID 8?

A. The RAPID 8 uses M-Elec Universal Polarity Technology and can work with either L/N or N/L connections, so does not require testing.

Compliance

Q. Do I need to support the cable sheath to prevent tension on the fang points (splice)?

A. The design of the RAPID 8 ensures the connector fangs are not put under stress or pressure – even if the cable sheath is under strain.

Q. What certifications and standards does the RAPID 8 comply with?

A. CE Certification. **Connector:** BS5733, IEC61535, IEC60998-2-3 **Downlight:** LVD: BS EN 60598-1:2015, LVD:BS EN 60598-2-2: 2012, EMC: EN 55015; EN 61547, EN 62493; EN 61000-3-2;EN 61000-3-3, Fire rated to: BS 476-20

Q. What is the current and voltage rating for RAPID 8 Connector?

A. 10A, 250V AC

General

Q. How does the RAPID 8 make a connection?

A. The RAPID 8 uses its Fang Technology to pierce through the outside sheath of the cable and splice beside the conductors. It doesn't cut the cable, it splices beside the conductors making a secure and safe connection.